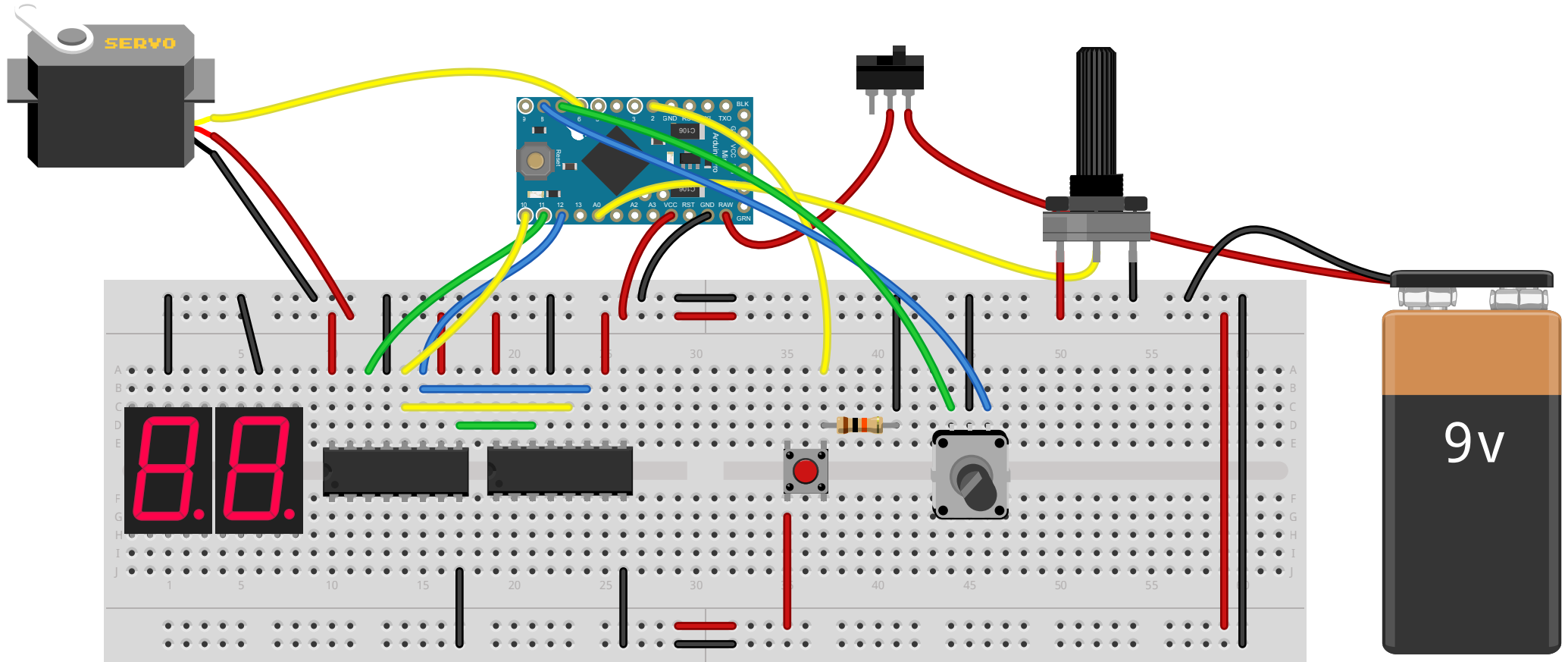


Graphic schematic for the Timed Finger v2 Arduino project



Wiring for Kingbright SC56/11HWA 7 segment character displays and shift registers omitted. Refer to schematic on following page for how they are hooked up.

Schematic for the Timed Finger v2 Arduino project

